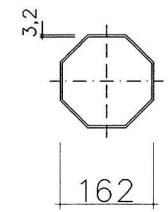
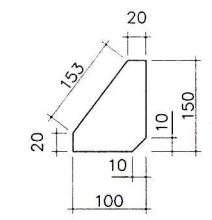


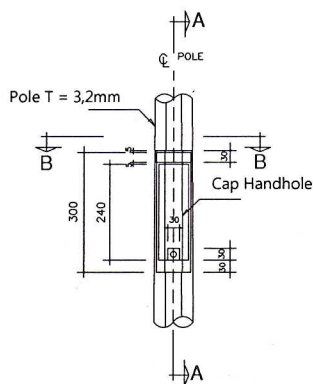
Det. Top Of Pole
SCALE 1 : 25



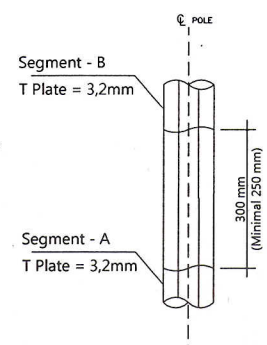
Det. Bottom Of Pole
SCALE 1 : 25



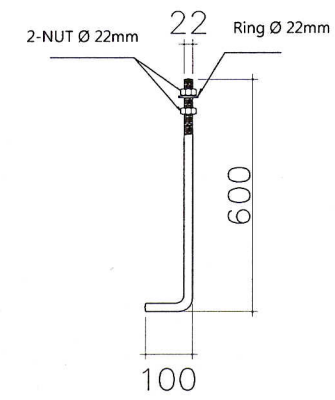
Rip Plate T = 6mm



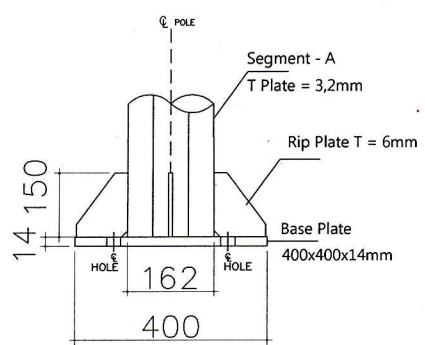
Det 2. Handhole
SCALE 1 : 25



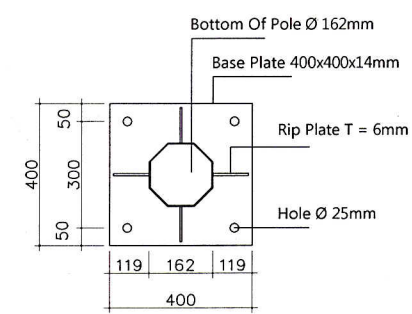
Det 3. Slip Joint
SCALE 1 : 25



Det. Anchor Bolt
SCALE 1 : 25



DET. 1 Base Plate
SCALE 1 : 25



DET. 1 Base Plate
SCALE 1 : 25

KETERANGAN

STANDART MUTU :

- ISO 9001 : 2008
- Plate Baja : ST 41 / SS 400
- Welding : Las Listrik
- Finishing Hot Dip Galvanize
- Segment System Slip Joint
- Segment A = 4000mm
- Segment B = 4000mm
- Segment C = 2600mm
- Bottom Of Pole Ø 162mm
- Base Plate 400x400x14mm

PRODUCTION :



PT. HELORI GRAHASARANA

JOB TITLE :

TECHNICAL SPECIFICATION

CLIENT :

PRODJECT :

DRAWING TITLE :

TIANG PJU OCTAGONAL
H-10M DOUBLE PARABOLE

DATE	CLIENT APPROVAL	APPROVAL
		 Risawan. W
CAD	DESIGN	CHECK
Auto CAD 2009	Dwi. Y	Efi

DRAWING NO : RL-DP-H10	SHEET NO : SHEET 1 Of 1
---------------------------	----------------------------

TIANG PJU H-10M DOUBLE PARABOLE
SCALE 1 : 25
OCTAGONAL