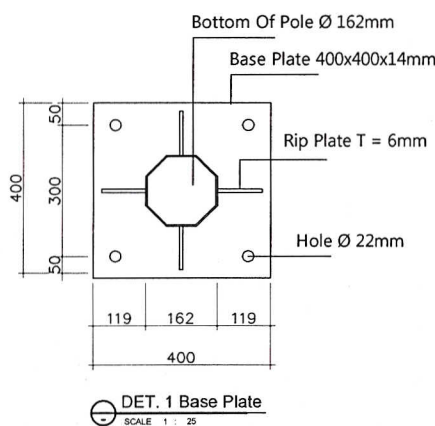
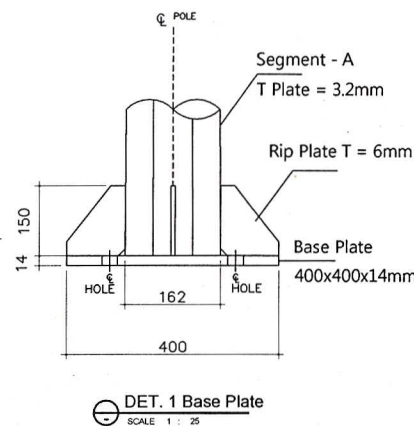
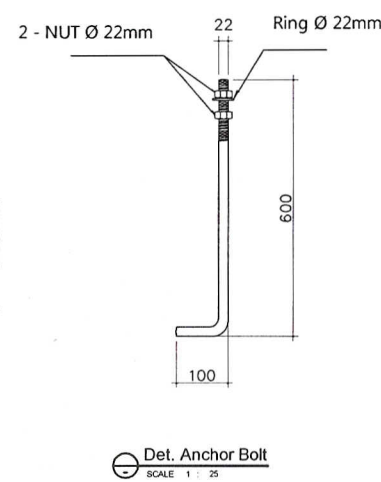
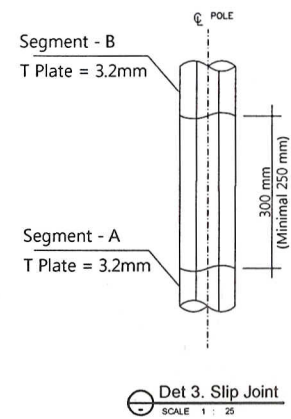
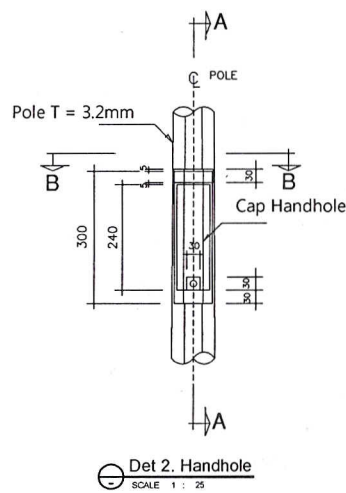
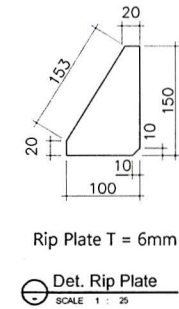
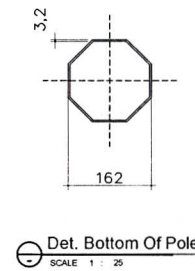
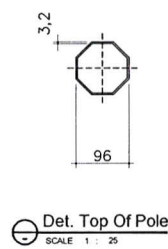


Tiang PJU H-10 M Single T  
SCALE 1 : 25  
OCTAGONAL



KETERANGAN

- STANDART MUTU :
- ISO 9001 : 2008
  - Plate Baja : ST 41 / SS 400
  - Welding : Las Listrik
  - Finishing Hot Dip Galvanize
  - Segment System Slip Joint
  - Segment A = 5000mm
  - Segment B = 5000mm
  - Bottom Of Pole Ø 162mm
  - Base Plate 400x400x14mm

PRODUCTION :



PT. HELORI GRAHASARANA

JOB TITLE :

TECHNICAL SPECIFICATION

CLIENT :

PROJECT :

DRAWING TITLE :

TIANG PJU OCTAGONAL  
H-10M SINGLE T

DATE	CLIENT APPROVAL	APPROVAL
CAD	DESIGN	CHECK
Auto CAD 2009	Dwi. Y	Efi
DRAWING NO : RL-ST-H10	SHEET NO : SHEET 1 OF 1	