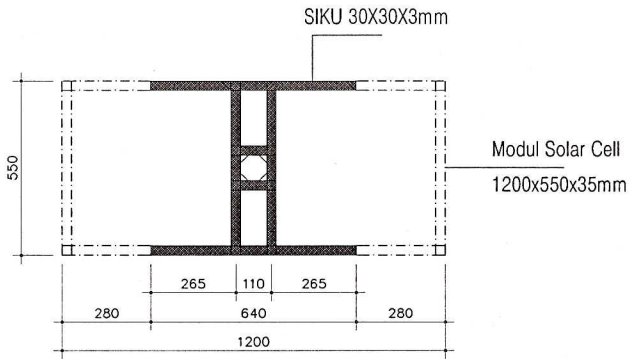
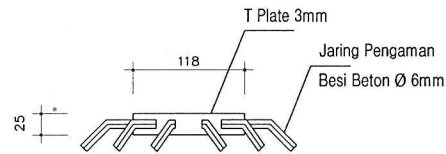


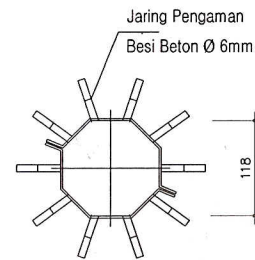
TIANG PJU H-06M ST TYPE SC
SCALE 1 : 100
OCTAGONAL



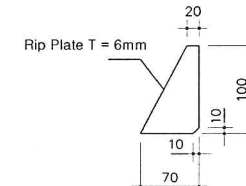
Det 3. Bracket Solar Cell
SCALE 1 : 25



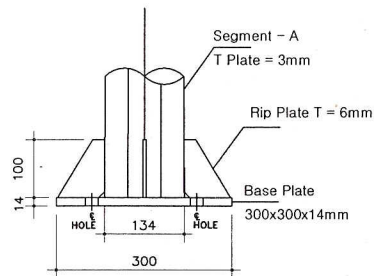
Det 2. Klem Anti Panjat
SCALE 1 : 25



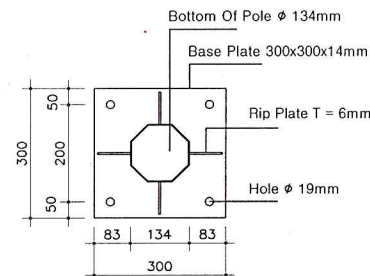
Det 2. Klem Anti Panjat
SCALE 1 : 25



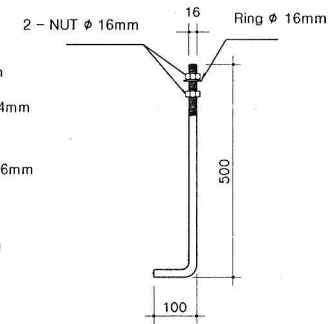
Det. Rip Plate
SCALE 1 : 25



DET. 1 Base Plate
SCALE 1 : 25



DET. 1 Base Plate
SCALE 1 : 25



Det. Anchor Bolt
SCALE 1 : 25

KETERANGAN

STANDART MUTU :

- ISO 9001 : 2008
- Plate Baja : ST 41 / SS 400
- Welding : Las Listrik
- Finishing Hot Dip Galvanize
- Segment A = 6000mm
- Bottom Of Pole Ø 134mm
- Base Plate 300x300x14mm
- Anchor Bolt Ø 16mm

PRODUCTION :

JOB TITLE :

TECHNICAL SPECIFICATION

CLIENT :

TOTAL :

DRAWING TITLE :

TIANG PJU OCTAGONAL
H-06M ST TYPE SOLAR CELL

DATE	CLIENT APPROVAL	APPROVAL
		Risawan, W
CAD	DESIGN	CHECK
Auto CAD 2009	Dwi, Y	Efi

DRAWING NO : HELORI-H06-ST-SC	SHEET NO : SHEET 1 Of 1
----------------------------------	----------------------------