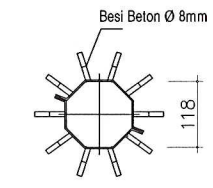
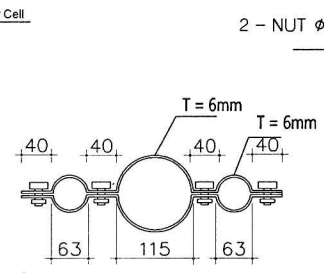


Det 4. Bracket Modul Solar Cell
SCALE 1 : 25

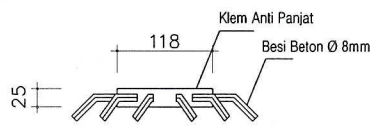
Det. Rip Plate
SCALE 1 : 25



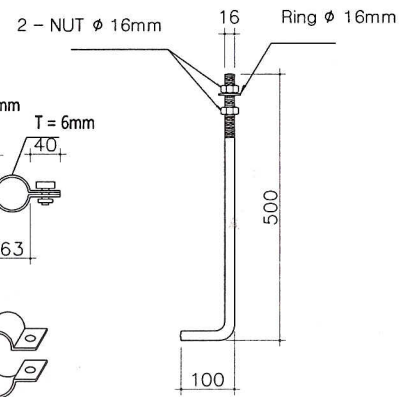
Det 2. Klem Anti Panjang
SCALE 1 : 25



Det. Klem Ornament
SCALE 1 : 25

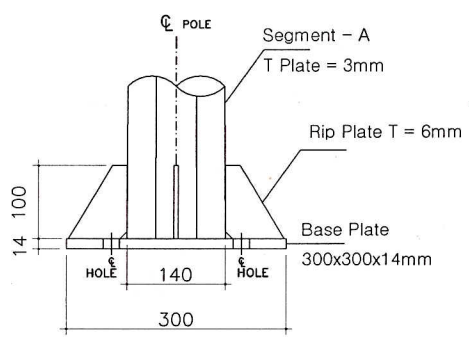


Det 2. Klem Anti Panjang
SCALE 1 : 25

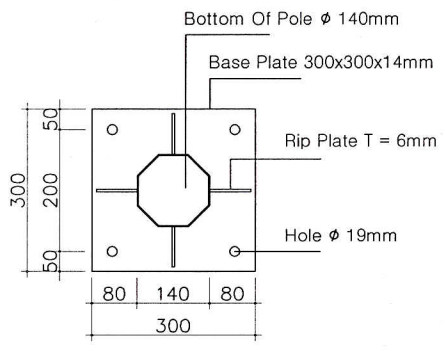


DET. Anchor Bolt
SCALE 1 : 25

TIANG PJU H-08M DP TYPE SC
SCALE 1 : 100
OCTAGONAL



DET. 1 Base Plate
SCALE 1 : 25



DET. 1 Base Plate
SCALE 1 : 25

KETERANGAN

- STANDART MUTU :
- ISO 9001 : 2008
 - Plate Baja : ST 41 / SS 400
 - Welding : Las Listrik
 - Finishing Hot Dip Galvanize
 - Segment System Slip Joint
 - Segment A = 5000mm
 - Segment B = 3300mm
 - Bottom Of Pole Ø 140mm
 - Base Plate 300x300x14mm

JOB TITLE :
TECHNICAL SPECIFICATION

CLIENT :
TOTAL :

DRAWING TITLE :
PJU OCTAGONAL H-08M
TYPE SOLAR CELL DP

DATE	CLIENT APPROVAL	APPROVAL
11/01/2013		 Risawan. W
CAD	DESIGN	CHECK
Auto CAD 2009	Dwi. Y	Efi