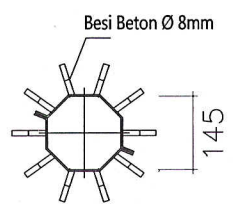
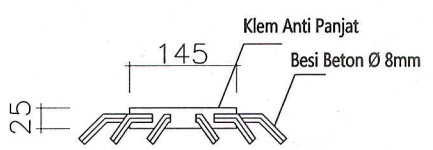


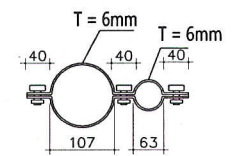
DET. 4. BRACKET MODUL SOLAR CELL  
SCALE 1 : 25



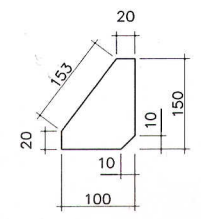
DET. 2. KLEM ANTI PANJAT  
SCALE 1 : 25



DET. 2. KLEM ANTI PANJAT  
SCALE 1 : 25

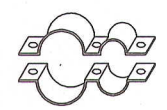


DET. 3. KLEM DOUBLE PARABOLE  
SCALE 1 : 25

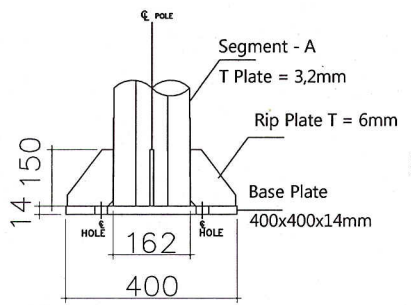


Rip Plate T = 6mm

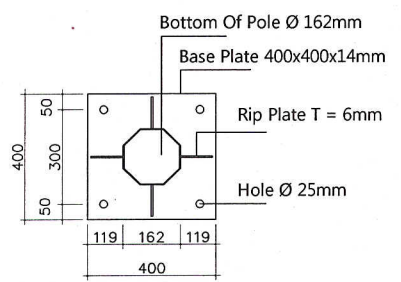
DET. 1. RIP PLATE  
SCALE 1 : 25



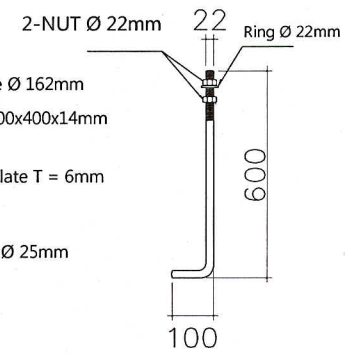
DET. 3. KLEM DOUBLE PARABOLE  
SCALE 1 : 25



DET. 1. BASE PLATE  
SCALE 1 : 25



DET. 1. BASE PLATE  
SCALE 1 : 25



DET. 1. ANCHOR BOLT  
SCALE 1 : 25

TIANG PJU H-10M SP TYPE SC

SCALE 1 : 100

OCTAGONAL

KETERANGAN

TECHNICAL SPECIFICATION :

- ISO 9001 : 2008
- Plate Baja : ST 41 / SS 400
- Welding : Las Listrik
- Finishing Hot Dip Galvanize
- Segment System Slip Joint
- Segment A = 5300mm
- Segment B = 5000mm
- Bottom Of Pole Ø 162mm
- Base Plate 400x400x14mm

PRODUCTION :



PT. HELORI GRAHASARANA

JOB TITLE :

TECHNICAL SPECIFICATION  
POLE SOLAR CELL

CLIENT :

TOTAL :

DRAWING TITLE :

TIANG PJU OCTAGONAL  
H-10M SINGLE PARABOLE

DATE	CLIENT APPROVAL	APPROVAL
	PT. Helori Grahasarana	
	heloRI	Risawan.W
	Jakarta	

CAD	DESIGN	CHECK
Auto CAD 2009	Dwi.Y	Efi

DRAWING NO :	SHEET NO :
RL-SP-SC-H10M	SHEET 1 Of 1