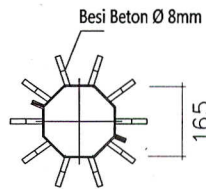
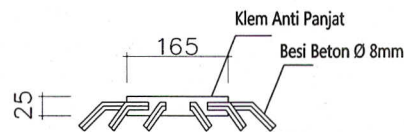


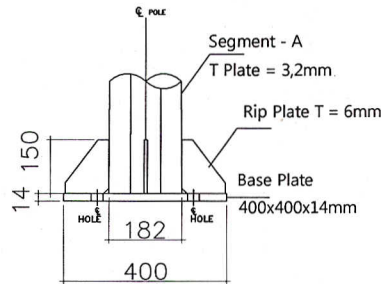
TIANG PJU H-13M SP TYPE SC
SCALE 1 : 100



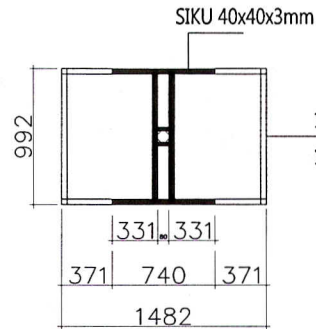
DET. 2. KLEM ANTI PANJAT
SCALE 1 : 25



DET. 2. KLEM ANTI PANJAT
SCALE 1 : 25

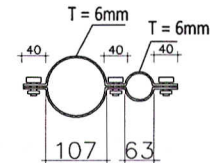


DET. 1 BASE PLATE
SCALE 1 : 25

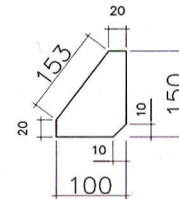


DET. 4. BRACKET MODUL SOLAR CELL
SCALE 1 : 25

1 Modul Solar Cell
1482x992x45mm

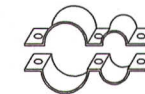


DET. 3. KLEM DOUBLE PARABOLE
SCALE 1 : 25

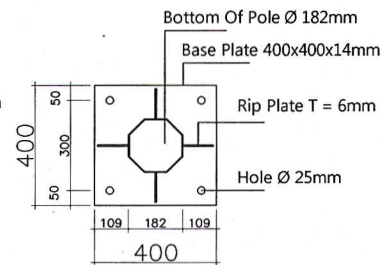


Rip Plate T = 6mm

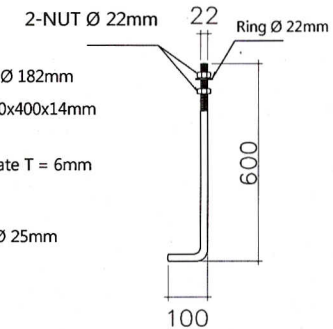
DET. 1. RIP PLATE
SCALE 1 : 25



DET. 3. KLEM DOUBLE PARABOLE
SCALE 1 : 25



DET. 1 BASE PLATE
SCALE 1 : 25



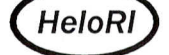
DET. 1. ANCHOR BOLT
SCALE 1 : 25

KETERANGAN

TECHNICAL SPECIFICATION :

- ISO 9001 : 2008
- Plate Baja : ST 41 / SS 400
- Welding : Las Listrik
- Finishing Hot Dip Galvanize
- Segment System Slip Joint
- Segment A = 6000mm
- Segment B = 4300mm
- Segment C = 3300mm
- Bottom Of Pole Ø 182mm
- Base Plate 400x400x14mm

PRODUCTION :



PT. HELORI GRAHASARANA

JOB TITLE :

TECHNICAL SPECIFICATION
POLE SOLAR CELL

CLIENT :

TOTAL :

DRAWING TITLE :

TIANG PJU OCTAGONAL
H-13M SINGLE PARABOLE

DATE	CLIENT APPROVAL	APPROVAL
------	-----------------	----------



CAD	DESIGN	CHECK
-----	--------	-------

Auto CAD 2009	Dwi. Y	Efi
---------------	--------	-----

DRAWING NO : RL-SP-SC-H13M	SHEET NO : SHEET 1 OF 1
-------------------------------	----------------------------