

KETERANGAN

STANDART MUTU :

- ISO 9001 : 2008
- Plate Baja : ST 41 / SS 400
- Welding : Las Listrik
- Finishing Hot Dip Galvanize
- Segment System Slip Joint
- Segment A = 4000mm
- Segment B = 3300mm
- Bottom Of Pole Ø 136mm
- Base Plate 300x300x14mm

PRODUCTION :



PT. HELORI GRAHASARANA

JOB TITLE :

TECHNICAL SPECIFICATION

CLIENT :

PROJECT :

DRAWING TITLE :

TIANG PJU OCTAGONAL  
H-07M SINGLE PARABOLE

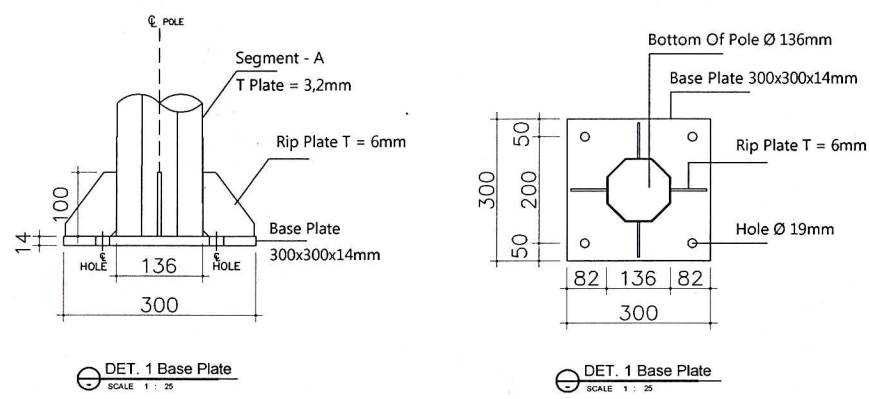
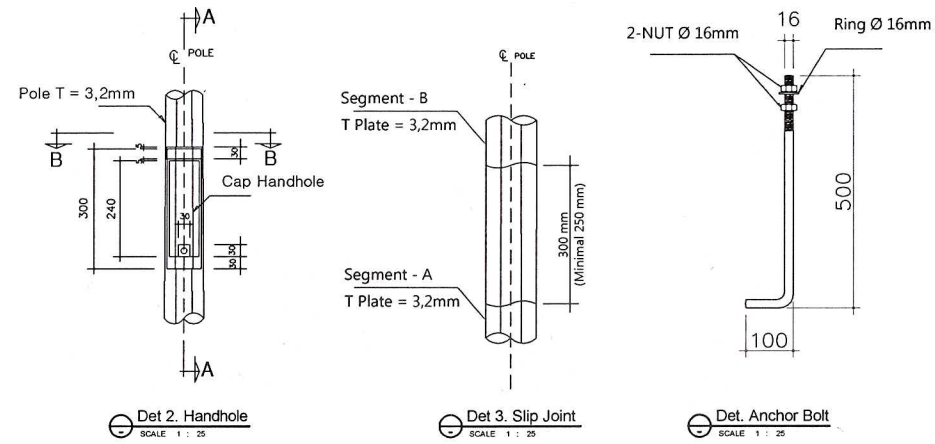
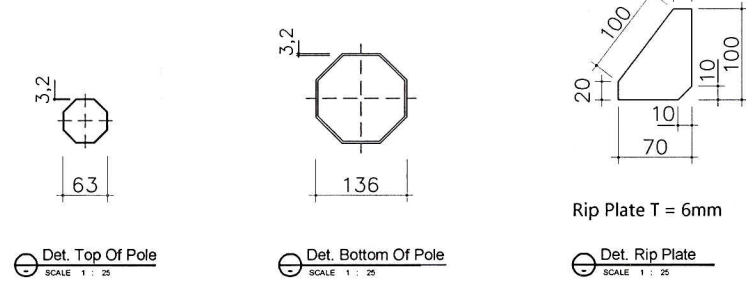
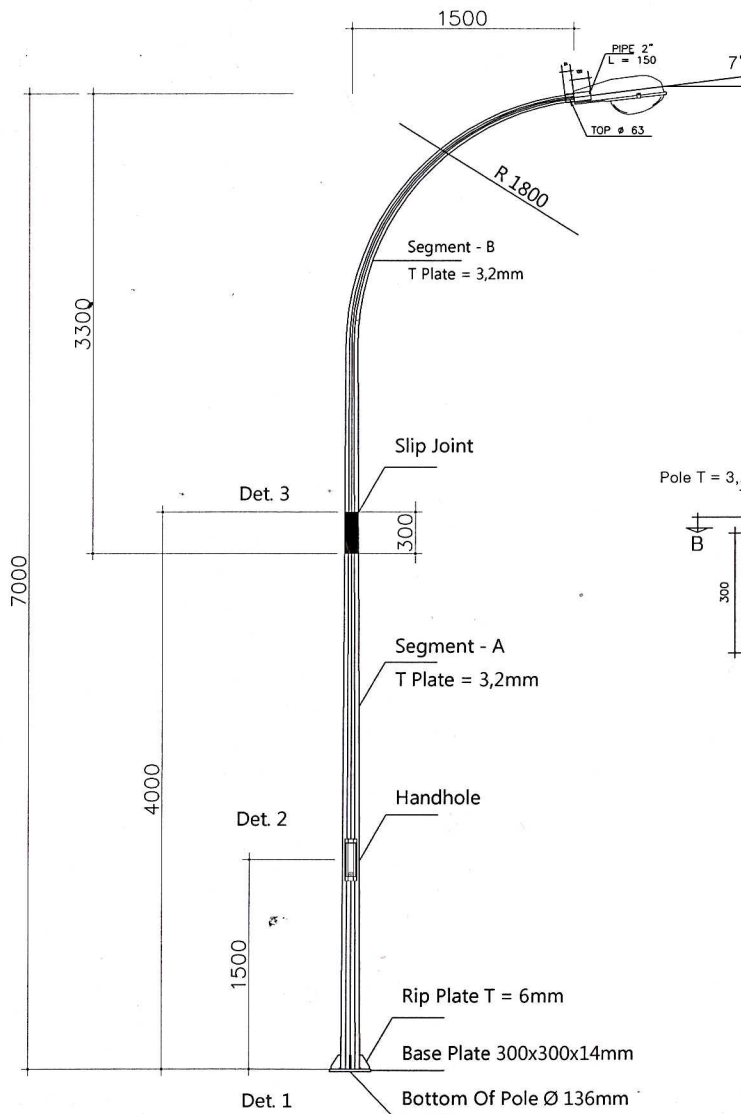
DATE	CLIENT	APPROVAL
		APPROVAL

  
 P.T. HELORI GRAHASARANA  
 heloRI  
 Jakarta  
 Risawan.W

CAD	DESIGN	CHECK

Auto CAD 2009	Dwi. Y	Efi
---------------	--------	-----

DRAWING NO :	SHEET NO :
RL-SP-H07	SHEET 1 Of 1



TIANG PJU H-07M SINGLE PARABOLE  
OCTAGONAL  
SCALE 1 : 25